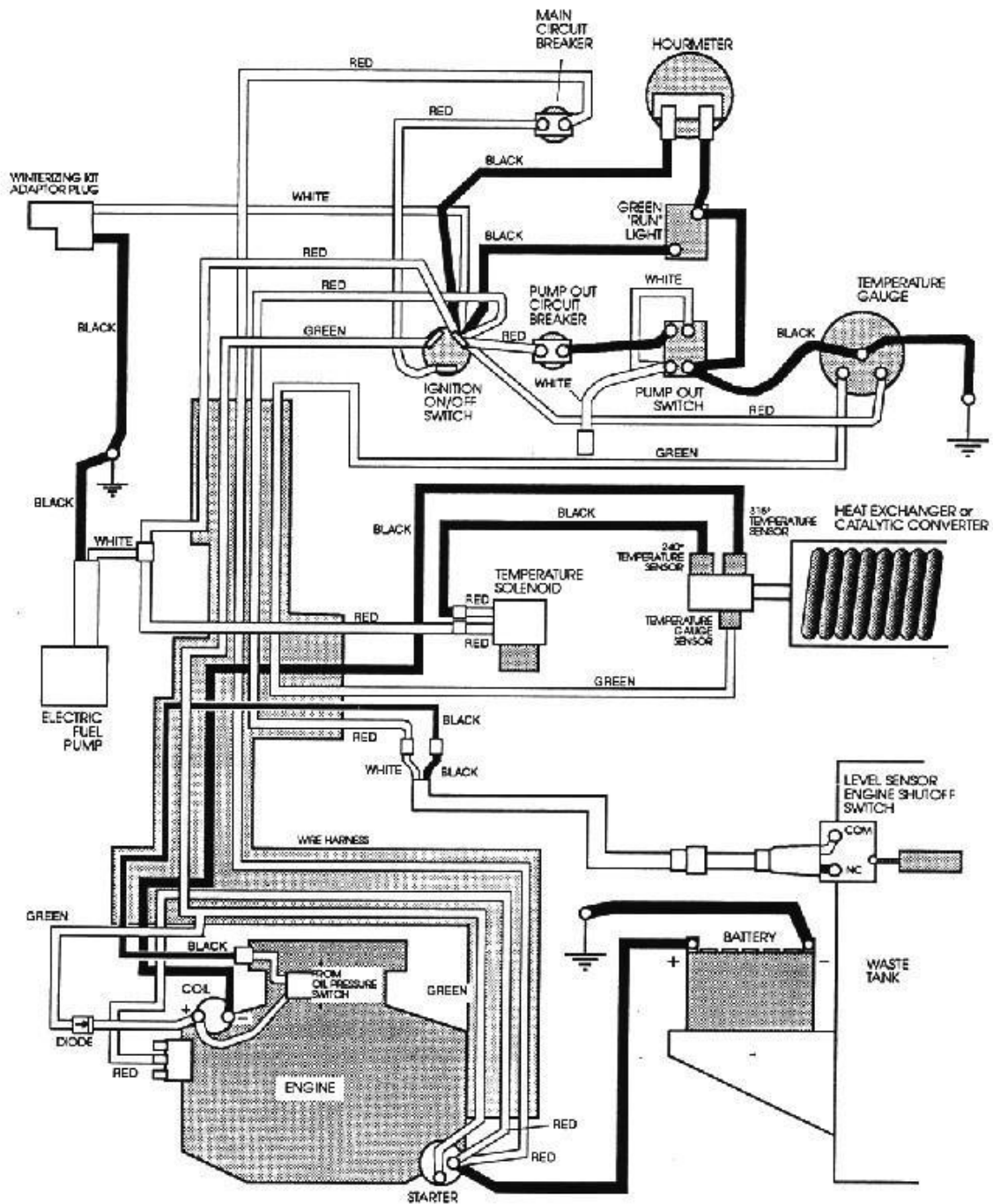
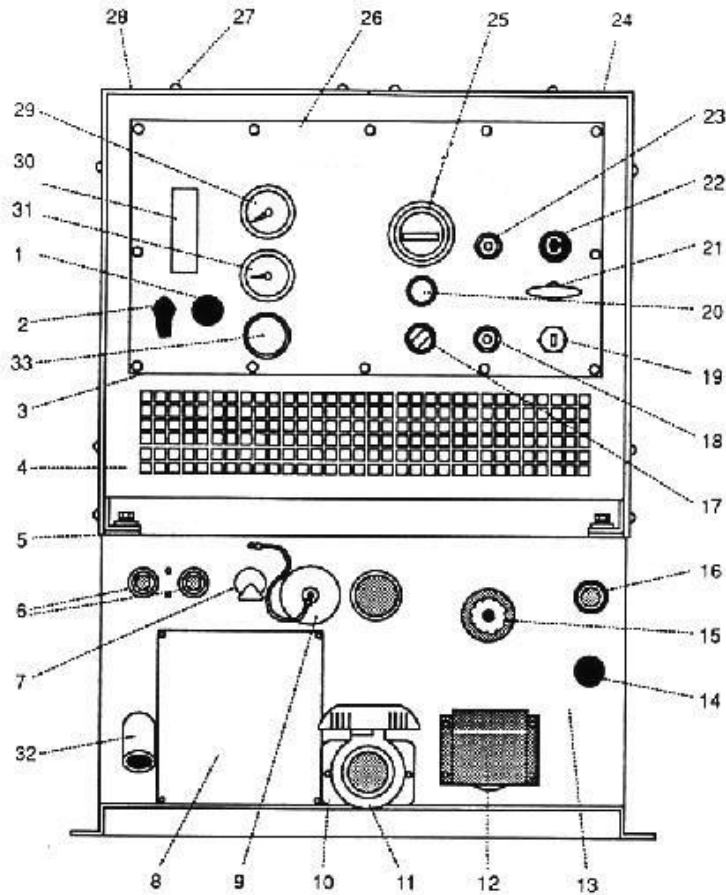


LANCER WIRING

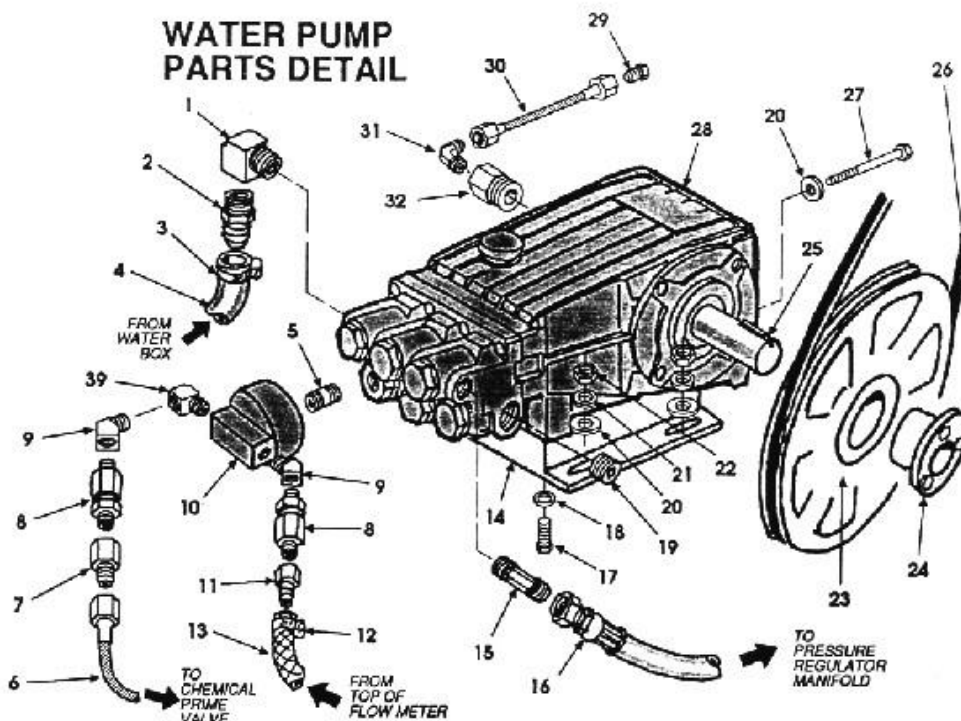


FRONT VIEW PARTS

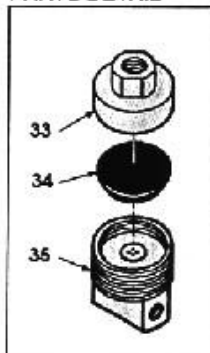


- | | | | |
|----|--|----|---|
| 1 | 15-808087.....VALVE, CHEMICAL METERING | 20 | 34-900098....."RUN" LIGHT <i>green</i> |
| 2 | 15-808022.....VALVE, CHEMICAL SELECTOR | 21 | 49-802505.....THROTTLE CABLE |
| 3 | 00-000182.....SCREW, CONTROL PANEL MOUNT | 22 | 49-802518.....CHOKE CABLE |
| 4 | 56-501675.....UPPER FRONT FRAME | 23 | 33-900161.....CIRCUIT BREAKER, 30amp |
| 5 | 58-700024.....VIBRATION PAD | 24 | 61-950552.....RIGHT HOOD ASSEMBLY |
| 6 | 13-806001.....DISCONNECT, 1/4F | 25 | 34-903000.....HOUR METER |
| 7 | 19-800075.....VAC LUBRICATION CUP | 26 | 50-501682.....CONTROL PANEL |
| 8 | 50-501678.....PLATE, CONDENSED OPER. INSTRUCT. | 27 | 01-000259.....RECEPTACLE, 1/4 TURNFAST |
| 9 | 52-501151.....PLUG, VACUUM INLET | | 00-000301.....STUD, 1/4 TURNFAST |
| 10 | 56-501686.....TUBE, WASTE OUTLET | | 02-000271.....RETAINER |
| 11 | 15-808080.....VALVE, WASTE OUTLET | 28 | 61-950553.....LEFT HOOD ASSEMBLY |
| 12 | 56-501741.....DEFLECTOR, VAC EXHAUST | 29 | 18-808526.....GAUGE, PRESSURE |
| 13 | 58-501691.....LOWER FRONT FRAME | 30 | 18-808513.....FLOWMETER |
| 14 | 15-808087.....VALVE, WATER BYPASS | 31 | 18-808525.....VACUUM GAUGE |
| 15 | 15-808068.....PRESSURE REGULATOR | 32 | 55-501672.....DEFLECTOR, ENGINE EXHAUST |
| 16 | 13-806008.....DISCONNECT, 3/8F | 33 | 18-808530.....GAUGE, TEMPERATURE |
| 17 | 32-900180.....SWITCH, WASTE PUMP | | |
| 18 | 33-900163.....CIRCUIT BREAKER, 20amp | | |
| 19 | 32-900086.....SWITCH, ON-OFF IGNITION | | |

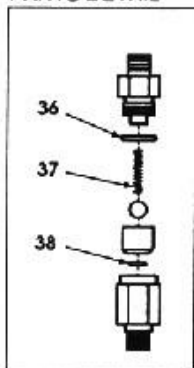
WATER PUMP PARTS DETAIL



CHEMICAL PUMP [#41-809044] PARTS DETAIL

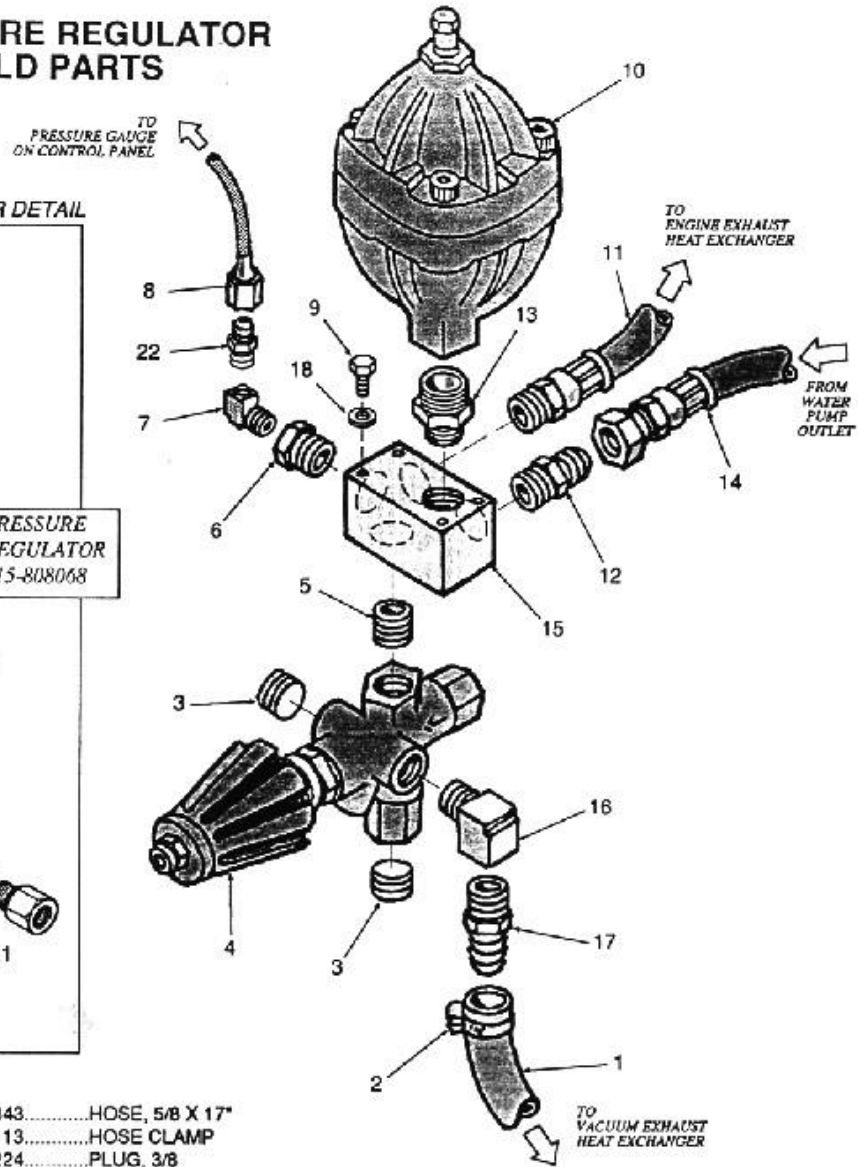
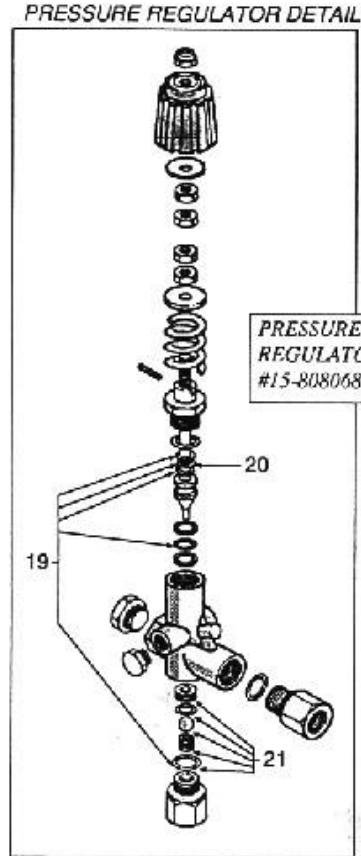


1/8" CHECK VALVE [#15-808030] PARTS DETAIL



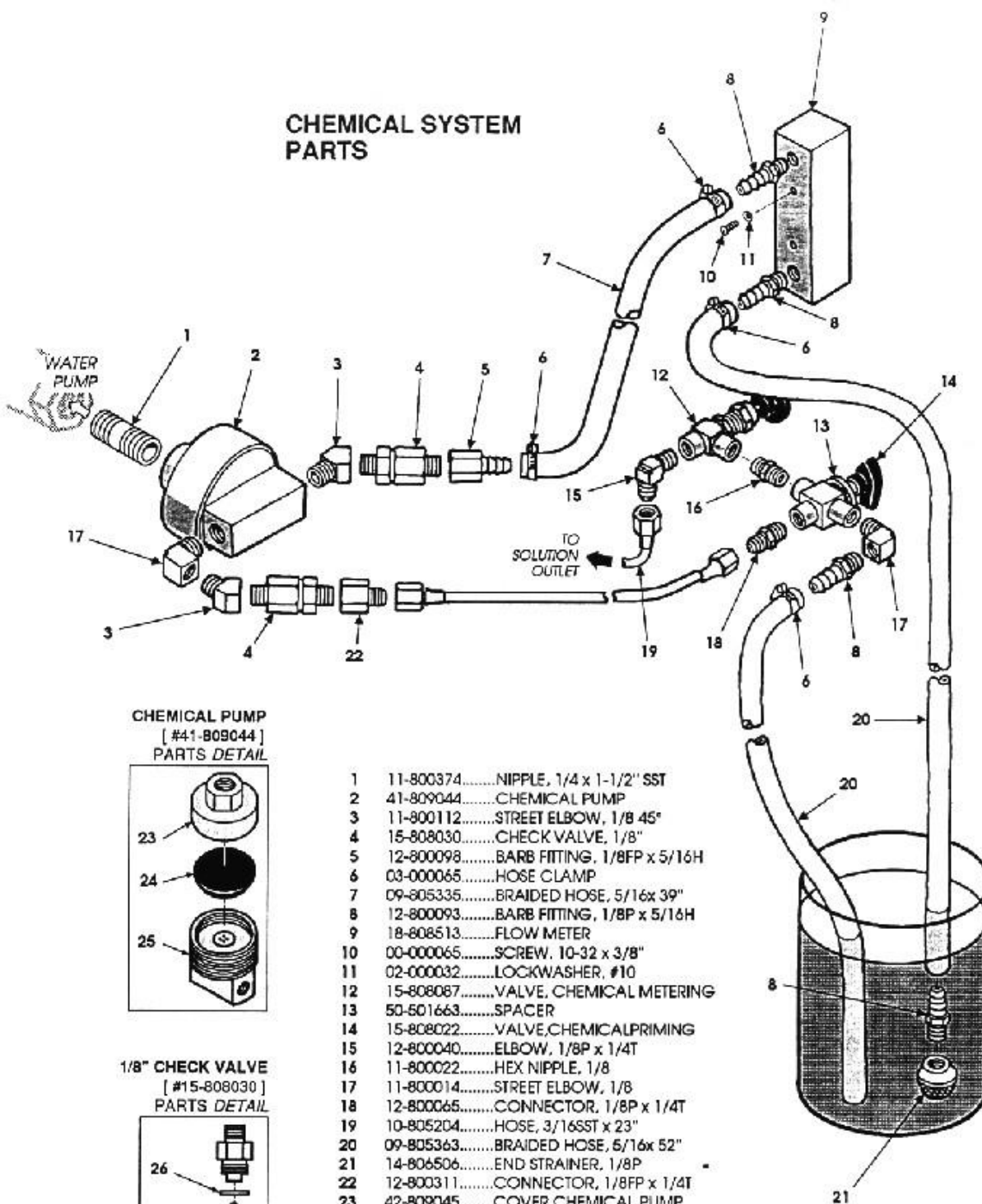
- 1 11-800041.....STREET ELBOW, 1/2
- 2 12-800269.....BARB FITTING, 1/2P x 5/8H
- 3 03-000113.....HOSE CLAMP
- 4 09-805343.....HOSE, 5/8 x 17"
- 5 11-800374.....NIPPLE, 1/4 x 1-1/2" SST
- 6 10-805318.....3/16SST HOSE x 39"
- 7 12-800311.....CONNECTOR, 1/8FP x 1/4T
- 8 15-808030.....CHECK VALVE, 1/8
- 9 11-800112.....STREET ELBOW, 1/8 45°
- 10 41-809044.....CHEMICAL PUMP
- 11 12-800098.....BARB FITTING, 1/8FP x 5/16H
- 12 03-000065.....HOSE CLAMP
- 13 09-805335.....BRAIDED HOSE, 5/16 x 39"
- 14 66-501673.....ADJUSTING BRACKET, PUMP
- 15 12-800225.....ELBOW, 3/8P x 1/2T
- 16 10-805023.....H. P. HOSE, 3/8 x 33"
- 17 00-000298.....SCREW, 10MM X 20MM
- 18 02-000225.....LOCKWASHER, 7/16
- 19 11-800069.....PLUG, 1/2
- 20 02-000074.....FLATWASHER, 3/8
- 21 02-000075.....LOCKWASHER, 3/8
- 22 01-000073.....NUT, 3/8-16
- 23 44-802211.....PULLEY, AK84H
- 24 44-802213.....HUB, HX24MM
- 25 42-809218.....KEY
- 26 44-802216.....BELT, AX35
- 27 00-000295.....SCREW, 3/8-16 x 3"
- 28 61-950557.....WATER PUMP
- 29 12-800029.....PLUG, 1/4T
- 30 10-805316.....HOSE, 3/16SST x 5"
- 31 12-800040.....ELBOW, 1/8P x 1/4T
- 32 52-501620.....OIL DRAIN BUSHING
- 33 42-809045.....COVER, CHEMICAL PUMP
- 34 42-809047.....DIAPHRAGM, CHEMICAL PUMP
- 35 42-809046.....BODY, CHEMICAL PUMP
- 36 16-808181.....WASHER, CHEM. CHECK VALVE
- 37 16-808182.....SPRING, CHEM. CHECK VALVE
- 38 43-810022.....O-RING, CHEM. CHECK VALVE
- 39 11-800014.....STREET ELBOW, 1/8

PRESSURE REGULATOR MANIFOLD PARTS

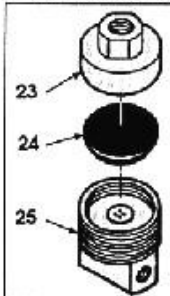


- | | | |
|----|-----------|------------------------------------|
| 1 | 09-805343 | HOSE, 5/8 X 17" |
| 2 | 03-000113 | HOSE CLAMP |
| 3 | 11-800224 | PLUG, 3/8 |
| 4 | 15-808068 | PRESSURE REGULATOR |
| 5 | 11-800368 | NIPPLE, 3/8 X CLOSE |
| 6 | 11-800118 | BUSHING, 3/8 X 1/8 |
| 7 | 11-800014 | STREET ELBOW, 1/8 |
| 8 | 10-805322 | SST HOSE, 3/16 X 19" |
| 9 | 00-000070 | SCREW, 1/4-20 X 1/2" (one of four) |
| 10 | 41-809016 | PULSATION DAMPER |
| 11 | 10-805324 | HOSE, 3/8 X 21" |
| 12 | 12-800282 | CONNECTOR, 3/8P X 1/2T |
| 13 | 11-800023 | HEX NIPPLE, 1/2 X 3/8 |
| 14 | 10-805023 | HOSE, 3/8 X 33" |
| 15 | 52-501598 | MANIFOLD, PRESSURE REGULATOR |
| 16 | 11-800275 | STREET ELBOW, 3/8 |
| 17 | 12-800345 | BARB FITTING, 3/8P X 5/8H |
| 18 | 02-000038 | LOCKWASHER, 1/4 (one of four) |
| 19 | 16-808201 | KIT, O-RING |
| 20 | 43-810078 | O-RING, VITON |
| 21 | 16-808200 | KIT, VALVE |
| 22 | 12-800065 | CONNECTOR, 1/8P X 1/4T |

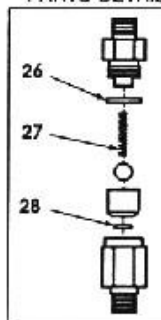
CHEMICAL SYSTEM PARTS



CHEMICAL PUMP [#41-809044] PARTS DETAIL



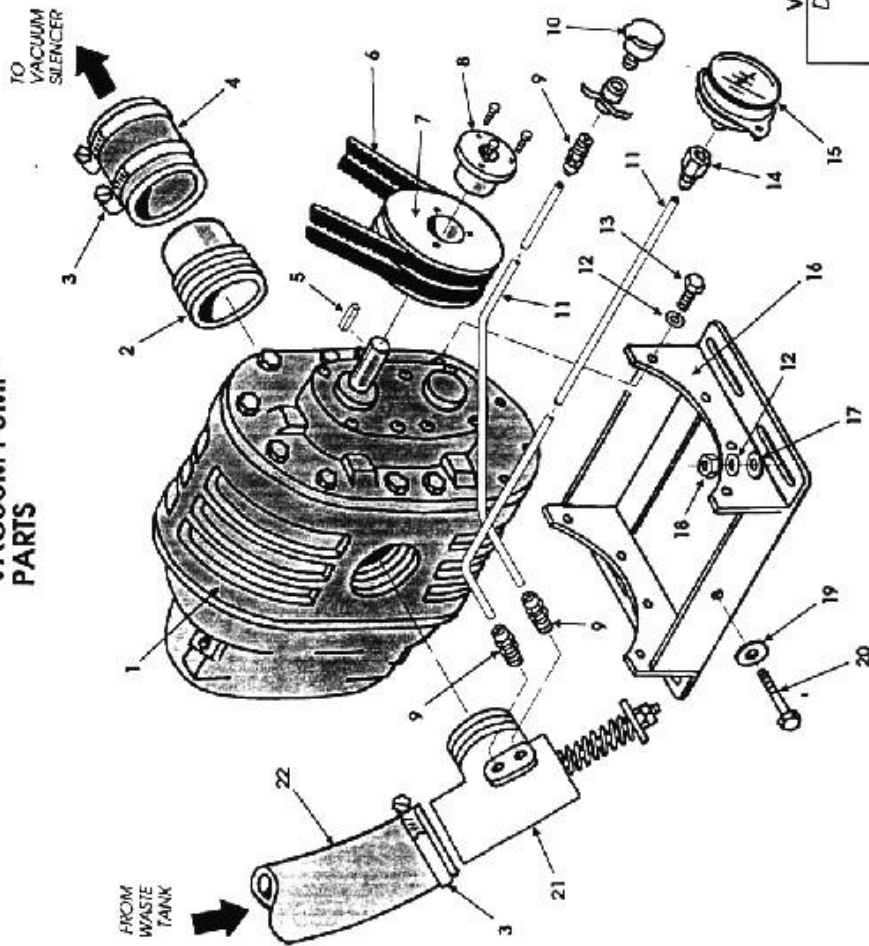
1/8" CHECK VALVE [#15-808030] PARTS DETAIL



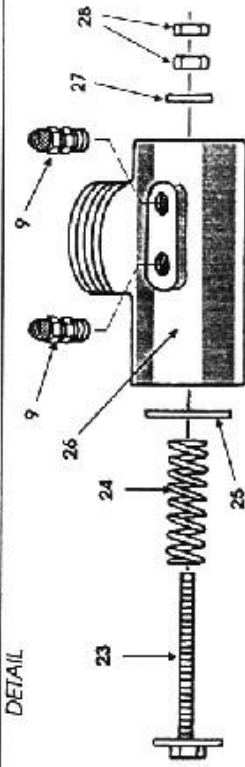
- 1 11-800374.....NIPPLE, 1/4 x 1-1/2" SST
- 2 41-809044.....CHEMICAL PUMP
- 3 11-800112.....STREET ELBOW, 1/8 45°
- 4 15-808030.....CHECK VALVE, 1/8"
- 5 12-800098.....BARB FITTING, 1/8FP x 5/16H
- 6 03-000065.....HOSE CLAMP
- 7 09-805335.....BRAIDED HOSE, 5/16x 39"
- 8 12-800093.....BARB FITTING, 1/8P x 5/16H
- 9 18-808513.....FLOW METER
- 10 00-000065.....SCREW, 10-32 x 3/8"
- 11 02-000032.....LOCKWASHER, #10
- 12 15-808087.....VALVE, CHEMICAL METERING
- 13 50-501663.....SPACER
- 14 15-808022.....VALVE, CHEMICAL PRIMING
- 15 12-800040.....ELBOW, 1/8P x 1/4T
- 16 11-800022.....HEX NIPPLE, 1/8
- 17 11-800014.....STREET ELBOW, 1/8
- 18 12-800065.....CONNECTOR, 1/8P x 1/4T
- 19 10-805204.....HOSE, 3/16SST x 23"
- 20 09-805363.....BRAIDED HOSE, 5/16x 52"
- 21 14-806506.....END STRAINER, 1/8P
- 22 12-800311.....CONNECTOR, 1/8FP x 1/4T
- 23 42-809045.....COVER, CHEMICAL PUMP
- 24 42-809047.....DIAPHRAGM, CHEMICAL PUMP
- 25 42-809046.....BODY, CHEMICAL PUMP
- 26 16-808181.....WASHER, CHEM. CHECK VALVE
- 27 16-808182.....SPRING, CHEM. CHECK VALVE
- 28 43-810022.....O-RING, CHEM. CHECK VALVE

VACUUM PUMP PARTS

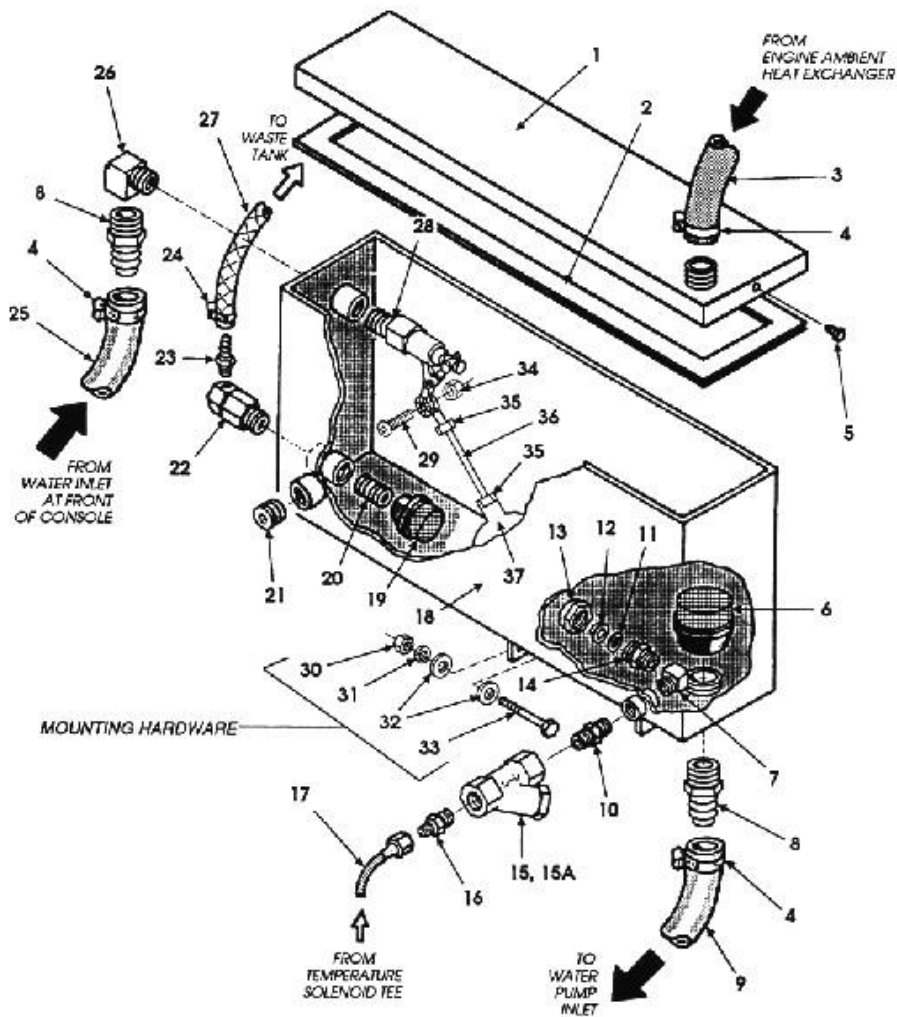
- 1 41-905021.....VACUUM PUMP
- 2 64-501593.....OUTLET NIPPLE
- 3 03-000112.....HOSE CLAMP
- 4 09-806344.....HOSE, 2-7/8 x 3"
- 5 54-500680.....KEY, SHAFT
- 6 44-802217.....BELT AX43
- 7 44-802212.....SHEAVE, 2IA54
- 8 44-802196.....HUB, P1 x 7/8
- 9 12-800059.....CONNECTOR, 1/8P x 1/4POLYFLO
- 10 19-800075.....LUBRICATION CLIP
- 11 09-806336.....TUBING, 1/4 x 40"
- 12 02-000075.....LOCKWASHER, 3/8
- 13 00-000095.....SCREW, 3/8-16 X 1"
- 14 12-800083.....CONNECTOR, 1/4FP x 1/4POLYFLO
- 15 18-806825.....VACUUM GAUGE
- 16 54-501574.....MOUNT, VACUUM ADJUSTING
- 17 02-000074.....FLATWASHER, 3/8
- 18 01-000073.....NUT, 3/8-16
- 19 02-000057.....FLATWASHER, 1/2 HEAVY
- 20 00-000302.....SCREW, 1/2-13 x 3"
- 21 61-950451.....RELIEF VALVE ASSEMBLY
- 22 09-806341.....HOSE, 2-7/8 x 25"
- 23 56-501615.....STEM, RELIEF VALVE
- 24 04-000091.....SPRING, RELIEF VALVE
- 25 43-807074.....DIAPHRAGM, RELIEF VALVE
- 26 52-501573.....BODY, RELIEF VALVE
- 27 02-000269.....FLATWASHER, 7/16
- 28 01-000224.....NUT, 7/16-14



VACUUM RELIEF VALVE #61-950451
DETAIL

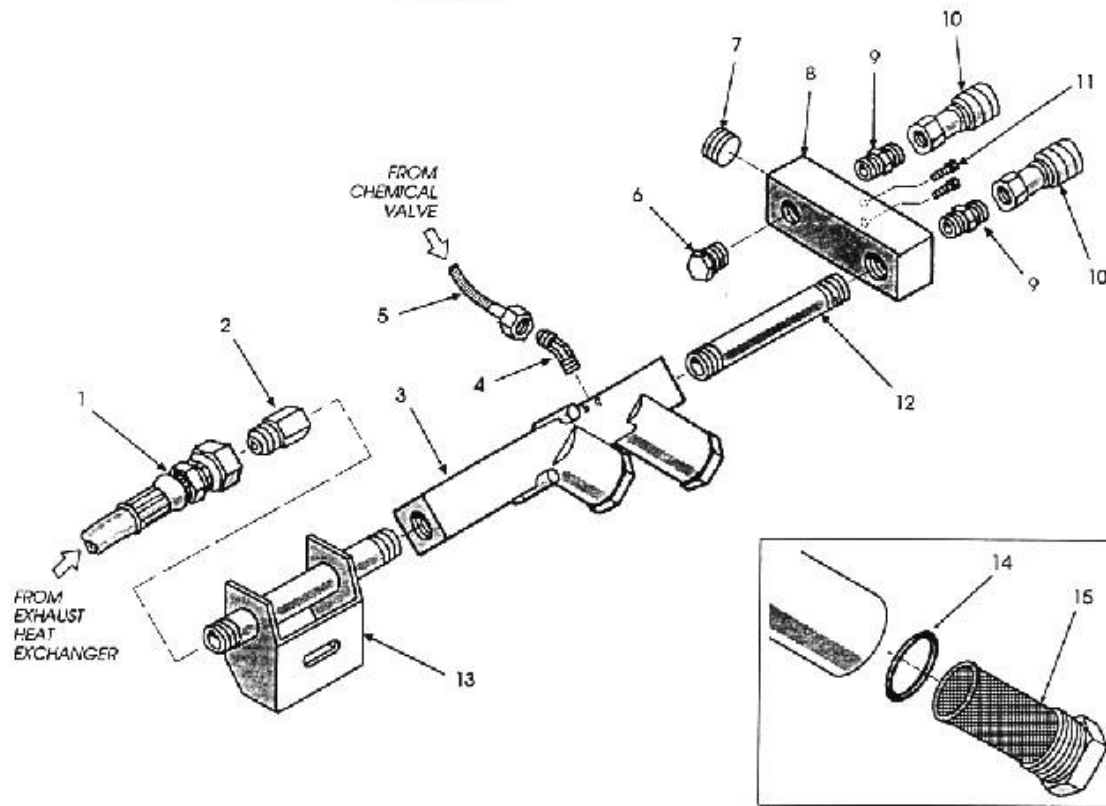


WATER BOX PARTS LISTING

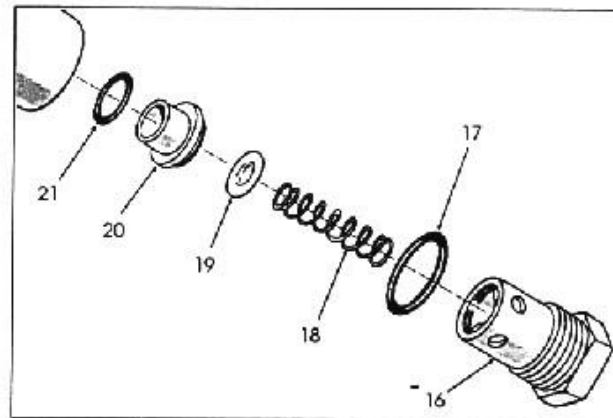


1	56-601747.....LID, WATER BOX	17	10-805345.....3/16SSST HOSE x 5"
2	43-807079.....GASKET, WATER BOX	18	56-501745.....WATER BOX
3	09-806100.....HOSE, 3/4 x 13-1/2"	19	14-806540.....END STRAINER, 1/2P
4	03-000113.....HOSE CLAMP	20	11-800300.....NIPPLE, 1/2 x CLOSE BR
5	00-000067.....SCREW, #10 x 1/2"	21	11-800069.....PLUG, 1/2
6	14-806604.....ENDSTRAINER, 3/4P	22	15-808083.....TEMPERATURE RELIEF VALVE
7	11-800045.....STREET ELBOW, 1/4	23	12-800093.....BARB FITTING, 1/8P x 5/16H
8	12-800269.....BARB FITTING, 1/2P x 5/8H	24	03-000065.....HOSE CLAMP
9	09-805343.....HOSE, 5/8 x 17"	25	09-805338.....HOSE, 5/8 x 62"
10	11-800029.....HEX NIPPLE, 1/4	26	11-800041.....STREET ELBOW, 1/2
11	17-803006.....NYLON WASHER	27	09-805279.....BRAIDED HOSE, 5/16 x 21"
12	17-803042.....JET ORIFICE	28	15-808097.....FLOAT VALVE
13	17-803041.....CAP	29	00-000043.....SCREW, 1/4-20 x 1"
14	17-803043.....NOZZLE BODY	30	01-000037.....NUT, 1/4-20
15	14-806548.....Y-STRAINER, 1/4 40-mesh	31	02-000038.....LOCKWASHER, 1/4
15A	16-808205.....SCREEN, O-RING & CAP ASSY -1/4 Y-STRAINER	32	02-000066.....FLATWASHER, 1/4
16	12-800060.....CONNECTOR, 1/4P x 1/4T	33	00-000122.....SCREW, 1/4-20 x 1-3/4"
		34	01-000023.....LOCKNUT, 1/4-20
		35	01-000045.....NUT, 1/4-20
		36	56-501614.....FLOAT ROD
		37	19-807014.....BALL, FLOAT

SOLUTION OUTLET PARTS

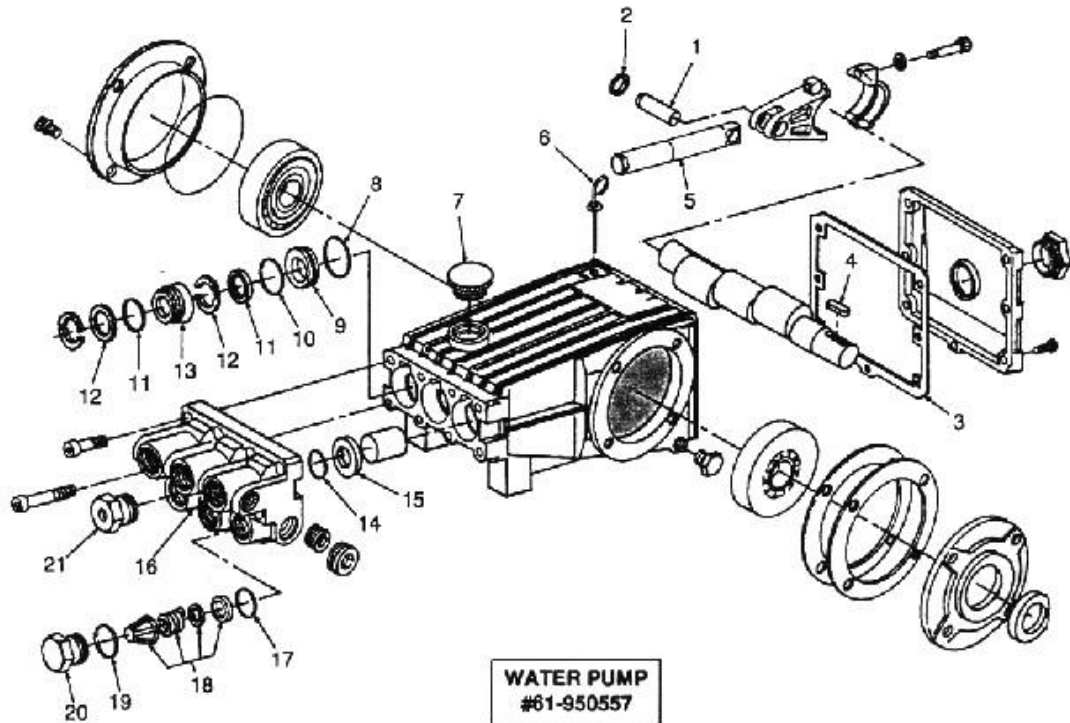


- 1 10-805287.....H. P. HOSE, 3/8 x 10"
- 2 12-900351.....CONNECTOR, 3/8FP x 1/2T
- 3 15-809095.....MANIFOLD ASSEMBLY
- 3A 52-501621.....MANIFOLD
- 4 12-800261.....ELBOW, 1/8P x 1/4T 45°
- 5 10-805204.....HOSE, 3/16SST x 23"
- 6 11-800169.....PLUG, 1/4
- 7 11-800069.....PLUG, 1/2
- 8 52-500980.....MANIFOLD, OUTLET
- 9 11-800029.....HEX NIPPLE, 1/4
- 10 13-806001.....DISCONNECT, 1/4F
- 11 00-000036.....SCREW, 1/4-20 x 3/4"
- 12 11-800372.....NIPPLE, 3/8 x 4" SST
- 13 56-501787.....BRACKET, SUPPORT
- 14 43-810053.....O-RING, Y-STRAINER
- 15 14-806549.....SCREEN, Y-STRAINER
- 16 16-808203.....CAP, CHECK VALVE
- 17 43-810079.....O-RING, CHECK VALVE
- 18 16-808182.....SPRING, CHECK VALVE
- 19 16-808206.....DISC, CHECK VALVE
- 20 16-808204.....SEAT, CHECK VALVE
- 21 43-810008.....O-RING, CHECK VALVE



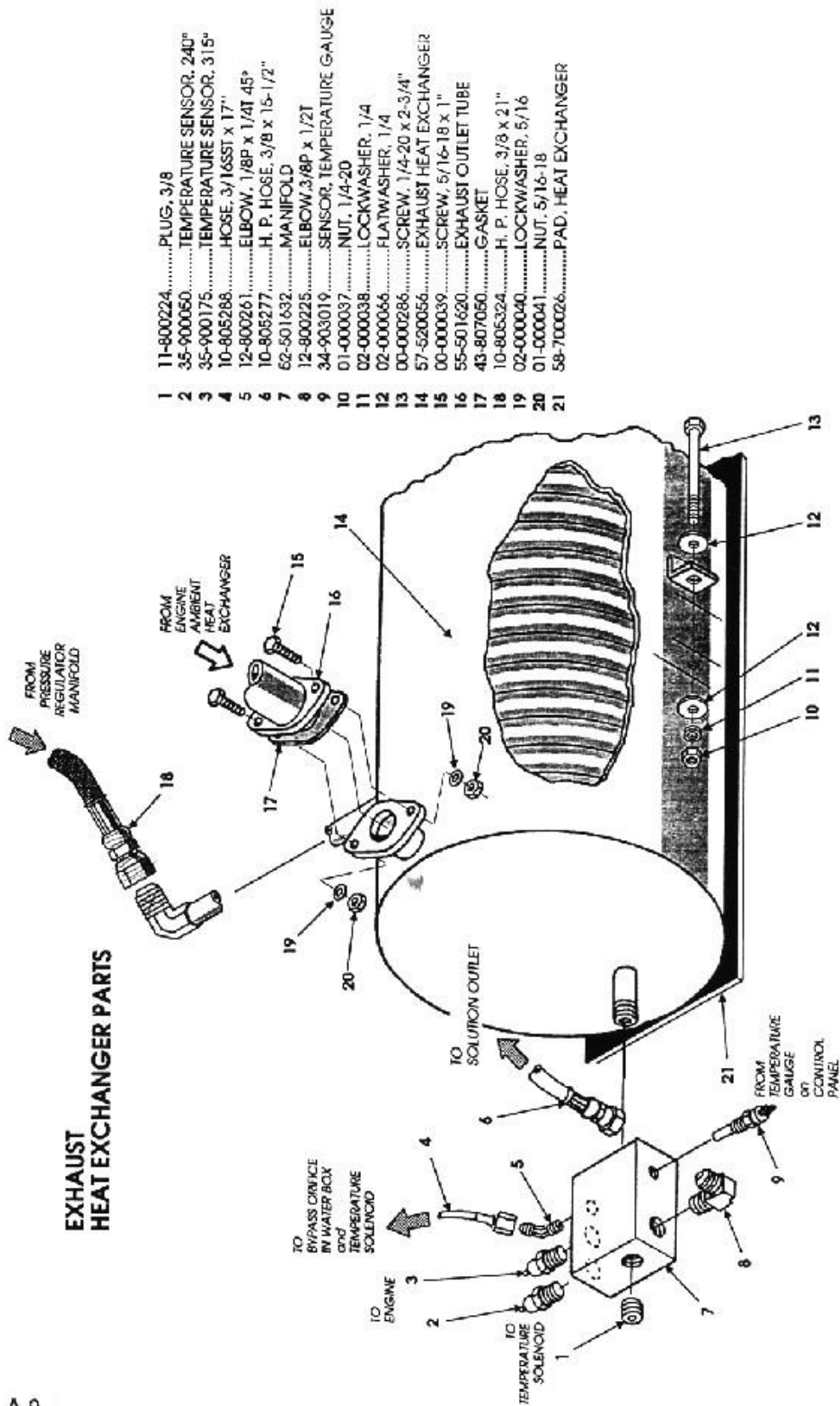
CHECK VALVE ASSEMBLY #15-808094. Includes ref. nos.

WATER PUMP DETAIL

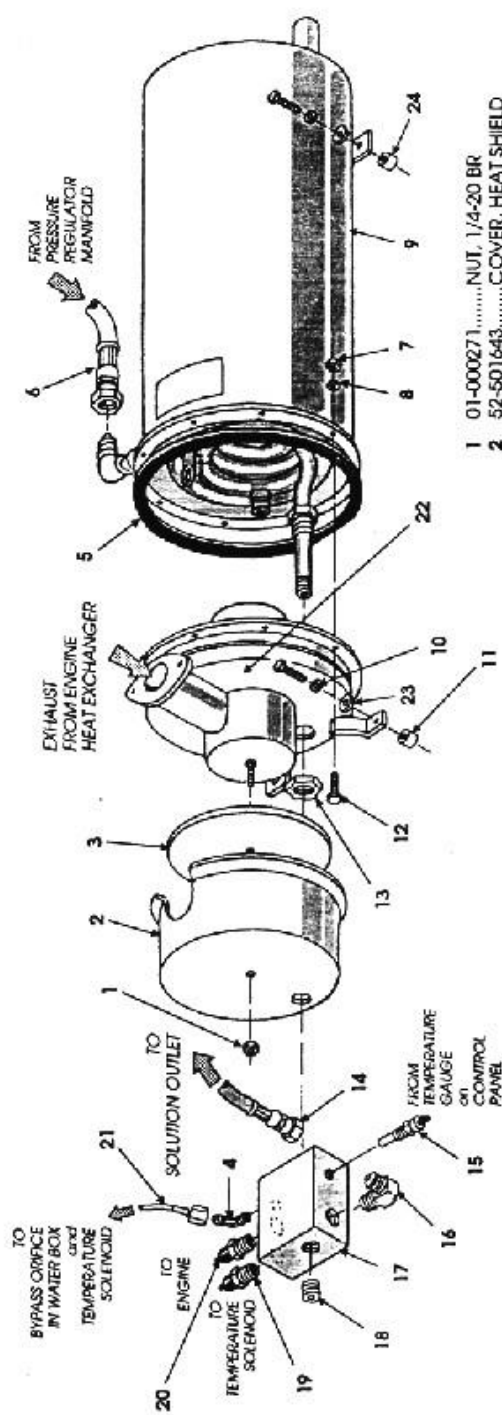


- | | | |
|----|----------------|--------------------------|
| 1 | 42-809219..... | PLUNGER PIN |
| 2 | 42-809220..... | STOP RING |
| 3 | 43-808104..... | PACKING, CRANKCASE |
| 4 | 42-809218..... | KEY |
| 5 | 42-809221..... | PLUNGER ASSEMBLY |
| 6 | 42-809217..... | DIPSTICK |
| 7 | 42-809224..... | OIL CAP |
| 8 | 43-810071..... | PACKING RETAINER, O-RING |
| 9 | 42-809222..... | PACKING RETAINER |
| 10 | 43-810073..... | SPACER RING |
| 11 | 43-810074..... | V-PACKING |
| 12 | 43-810075..... | HEAD RING |
| 13 | 43-810072..... | INTERMEDIATE RING |
| 14 | 43-810076..... | O-RING, WATER SLINGER |
| 15 | 43-810070..... | OIL SEAL, PLUNGER |
| 16 | 42-809223..... | CYLINDER HEAD |
| 17 | 43-810077..... | O-RING, VALVE SEAT |
| 18 | 42-809208..... | VALVE ASSEMBLY |
| 19 | 43-810068..... | O-RING, VALVE CAP |
| 20 | 42-809207..... | VALVE CAP |
| 21 | 52-809112..... | VALVE CAP w/ 1/4NPT PORT |

EXHAUST HEAT EXCHANGER PARTS

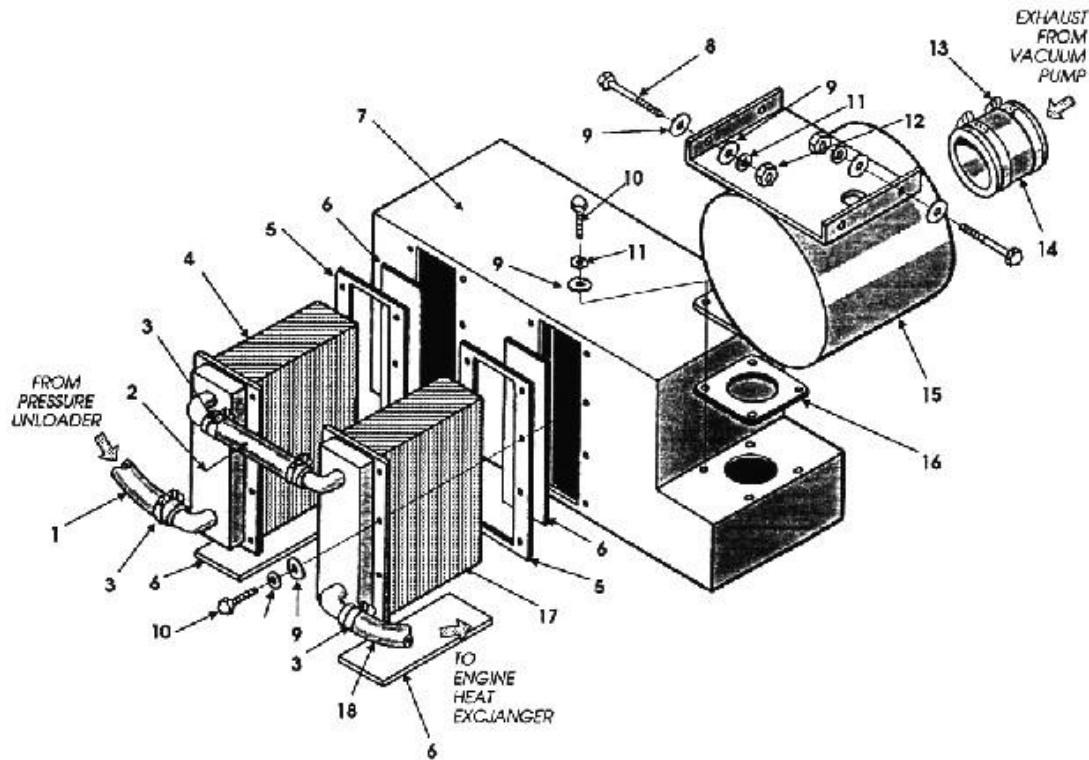


- 1 11-800224.....PLUG, 3/8
- 2 35-900060.....TEMPERATURE SENSOR, 24D"
- 3 35-900175.....TEMPERATURE SENSOR, 315"
- 4 10-805288.....HOSE, 3/16SST x 17"
- 5 12-800261.....ELBOW, 1/8P x 1/4T 45°
- 6 10-805277.....H. P. HOSE, 3/8 x 15-1/2"
- 7 62-501632.....MANIFOLD
- 8 12-800225.....ELBOW, 3/8P x 1/2T
- 9 34-903019.....SENSOR, TEMPERATURE GAUGE
- 10 01-000037.....NUT, 1/4-20
- 11 02-000038.....LOCKWASHER, 1/4
- 12 02-000066.....FLATWASHER, 1/4
- 13 00-000286.....SCREW, 1/4-20 x 2-3/4"
- 14 57-520056.....EXHAUST HEAT EXCHANGER
- 15 00-000039.....SCREW, 5/16-18 x 1"
- 16 55-501620.....EXHAUST OUTLET TUBE
- 17 43-807050.....GASKET
- 18 10-806324.....H. P. HOSE, 3/8 x 21"
- 19 02-000040.....LOCKWASHER, 5/16
- 20 01-000041.....NUT, 5/16-18
- 21 58-700026.....PAD, HEAT EXCHANGER

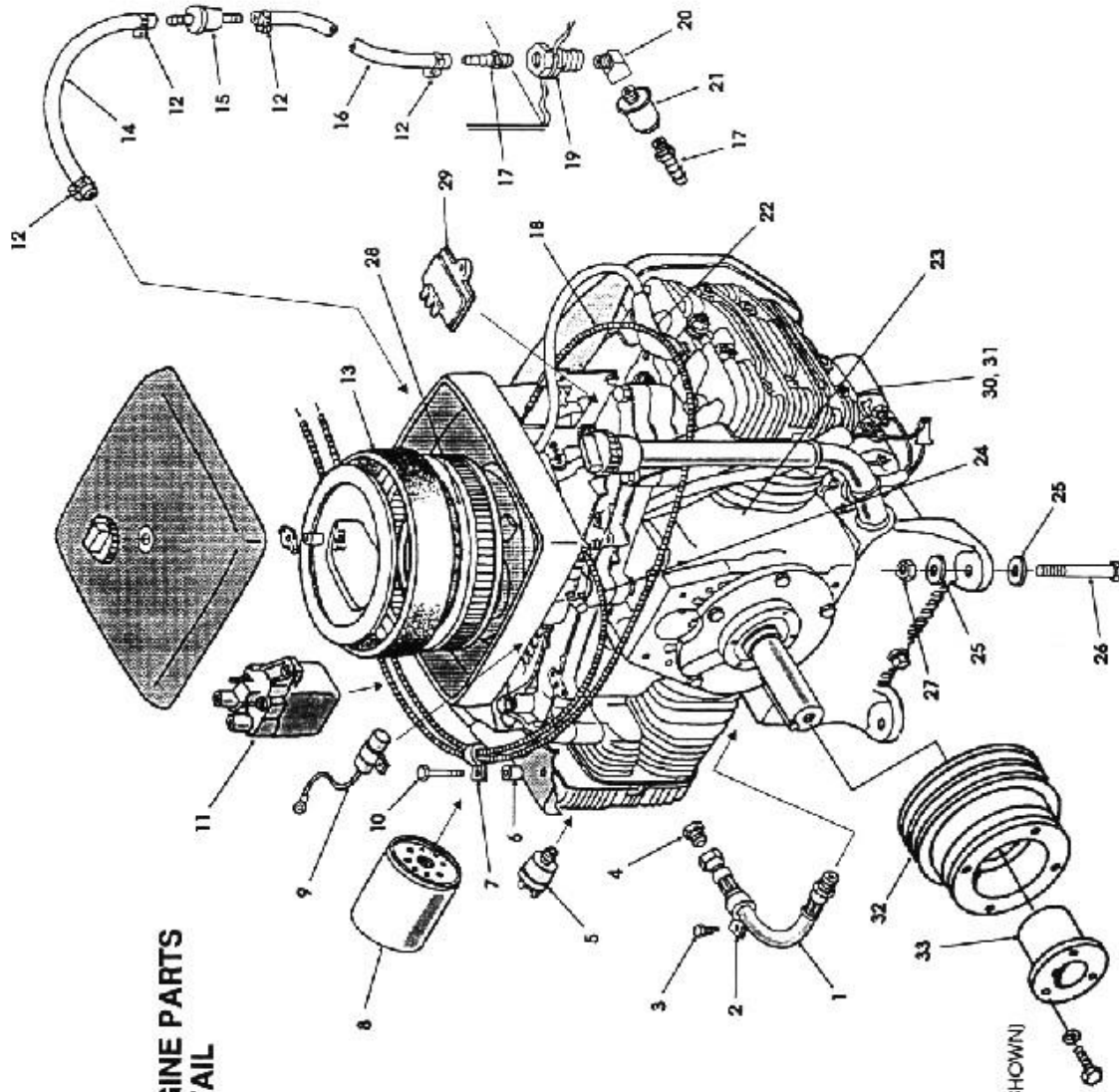


CATALYTIC CONVERTER EXHAUST HEAT EXCHANGER PARTS

VACUUM EXHAUST
HEAT EXCHANGER
& SILENCER PARTS



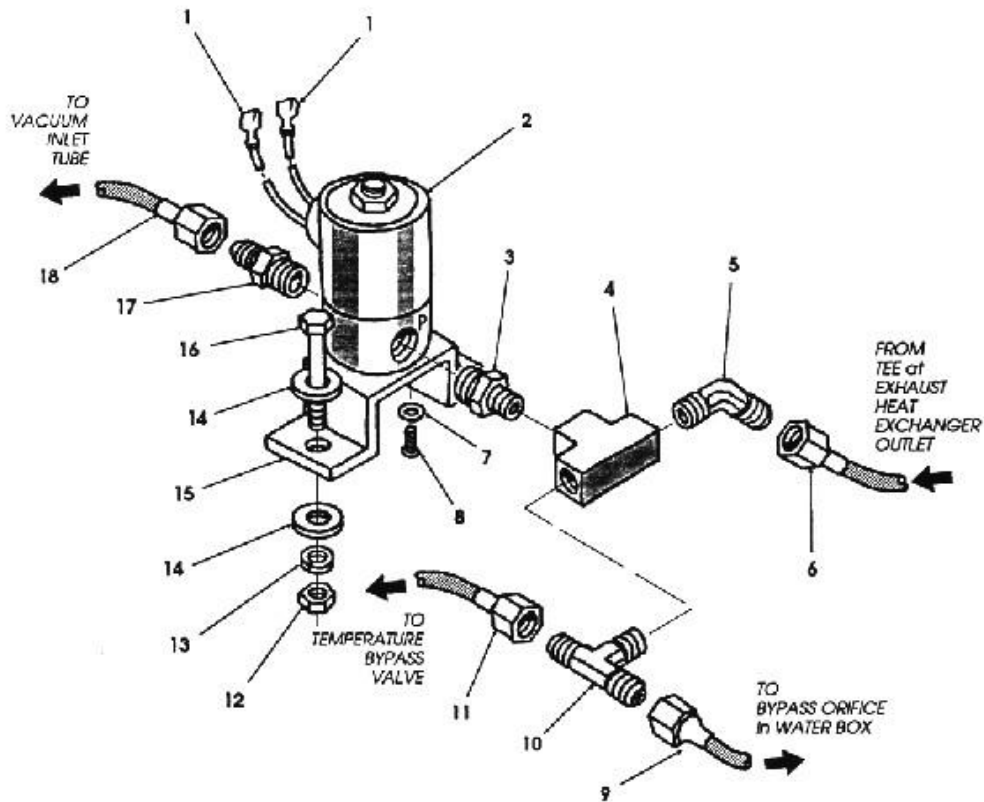
- | | | |
|----|----------------|---------------------------|
| 1 | 09-805321..... | HOSE, 5/8 X 15" |
| 2 | 09-805346..... | HOSE, 5/8 X 7" |
| 3 | 03-000113..... | HOSE CLAMP |
| 4 | 61-950546..... | FRONT H. E. ASSEMBLY |
| 5 | 58-700027..... | GASKET |
| 6 | 43-807081..... | GASKET, REAR & BOTTOM |
| 7 | 56-501690..... | HOUSING, VACUUM EXH H. E. |
| 8 | 00-000142..... | SCREW, 1/4-20 X 2-1/2" |
| 9 | 02-000066..... | FLATWASHER, 1/4 |
| 10 | 00-000055..... | SCREW, 1/4-20 X 3/4" |
| 11 | 02-000038..... | LOCKWASHER |
| 12 | 01-000037..... | NUT, 1/4-20 |
| 13 | 03-000112..... | HOSE CLAMP |
| 14 | 09-805143..... | HOSE, 2-1/2 X 6-1/2" |
| 15 | 57-520062..... | VACUUM SILENCER |
| 16 | 43-807080..... | GASKET |
| 17 | 61-950556..... | REAR H. E. ASSEMBLY |
| 18 | 09-805342..... | HOSE, 3/4 X 55" |



**ENGINE PARTS
DETAIL**

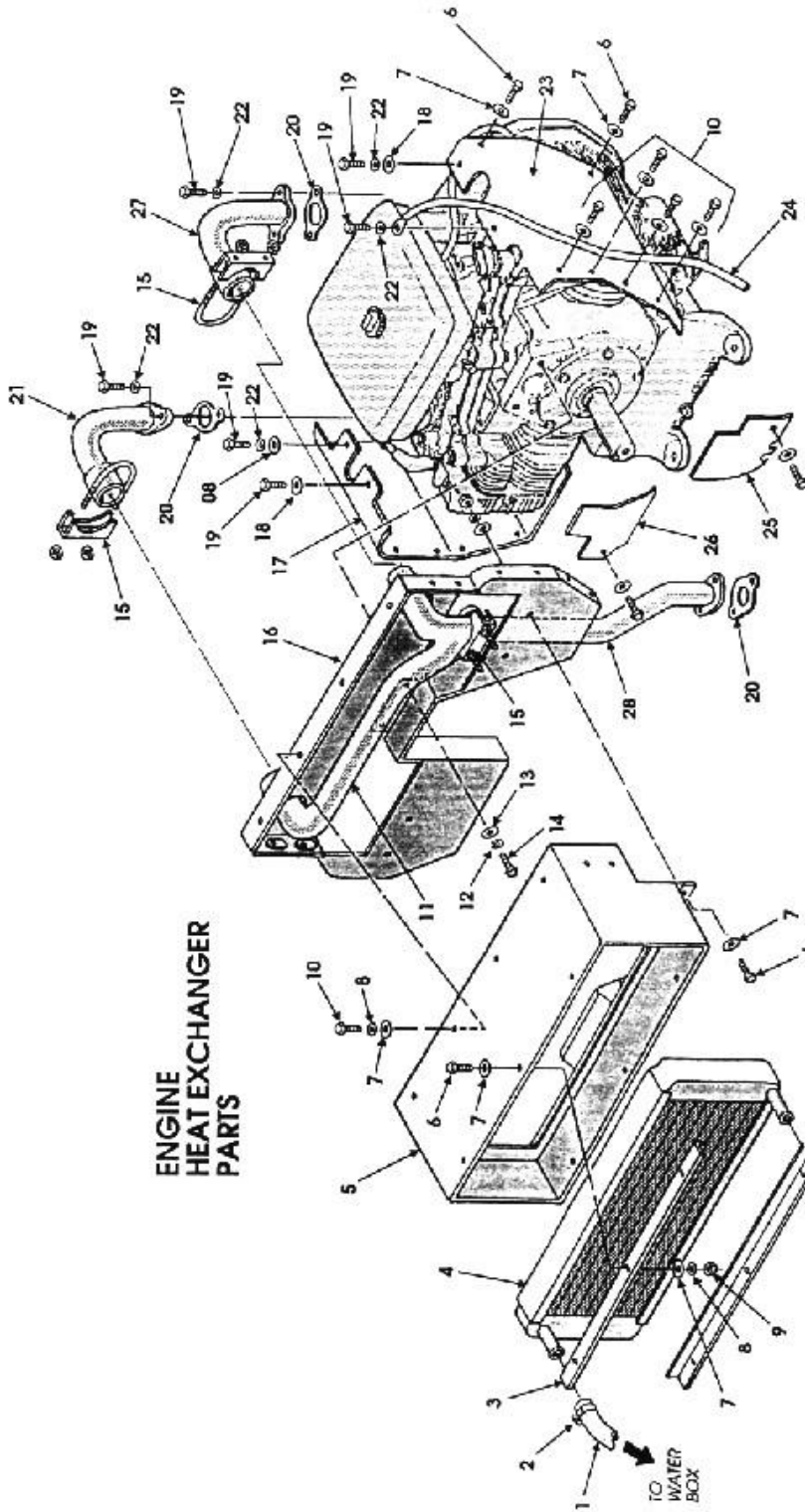
- 1 1D-806291.....HOSE, OIL DRAIN
- 2 03-000242.....HOLD-DOWN CLAMP
- 3 00-000255.....SCREW, SELF DR #14 X 1"
- 4 12-800052.....PLUG, OIL DRAIN HOSE
- 5 42-902260.....OIL PRESSURE SWITCH
- 6 54-501565.....SPACER
- 7 03-000051.....CABLE CLAMP
- 8 42-902194.....OIL FILTER
- 9 42-902193.....CAPACITOR
- 10 00-000247.....SCREW, 5/16 X 2"
- 11 42-902261.....BATTERY IGNITION COIL
- 12 03-000065.....HOSE CLAMP
- 13 42-902099.....WRAPPER, AIR CLEANER ELEMENT
- 14 09-805303.....HOSE, FUEL 1/4 X 14-1/2"
- 15 42-902100.....FUEL FILTER, UPPER
- 16 09-805230.....HOSE, FUEL 5/16 X 20"
- 17 12-800093.....BARB FITTING, 1/8P X 5/16H
- 18 49-802505.....THROTTLE CABLE
- 19 11-800091.....BULK-HEAD ADAPTOR, 1/8
- 20 11-800112.....STREET ELBOW, 1/8, 45°
- 21 14-806542.....FUEL FILTER, LOWER
- 22 42-902097.....SPARK PLUG
- 23 40-902111.....ONAN 24 HP ENGINE
- 24 49-802518.....CHOKE CABLE
- 25 02-000074.....FLATWASHER, 3/8
- 26 00-000075.....SCREW, 3/8-16 X 2-1/2"
- 27 01-000158.....LOCKNUT, 3/8-16
- 28 42-902098.....AIR CLEANER ELEMENT
- 29 42-902124.....VOLTAGE REGULATOR
- 30 42-902263.....STARTER
- 31 42-902262.....CLUTCH ASSEMBLY, STARTER (NOT SHOWN)
- 32 52-501602.....PULLEY, ENGINE
- 33 44-802214.....HUB, P1 x 1-1/8

TEMPERATURE SOLENOID PARTS DETAIL



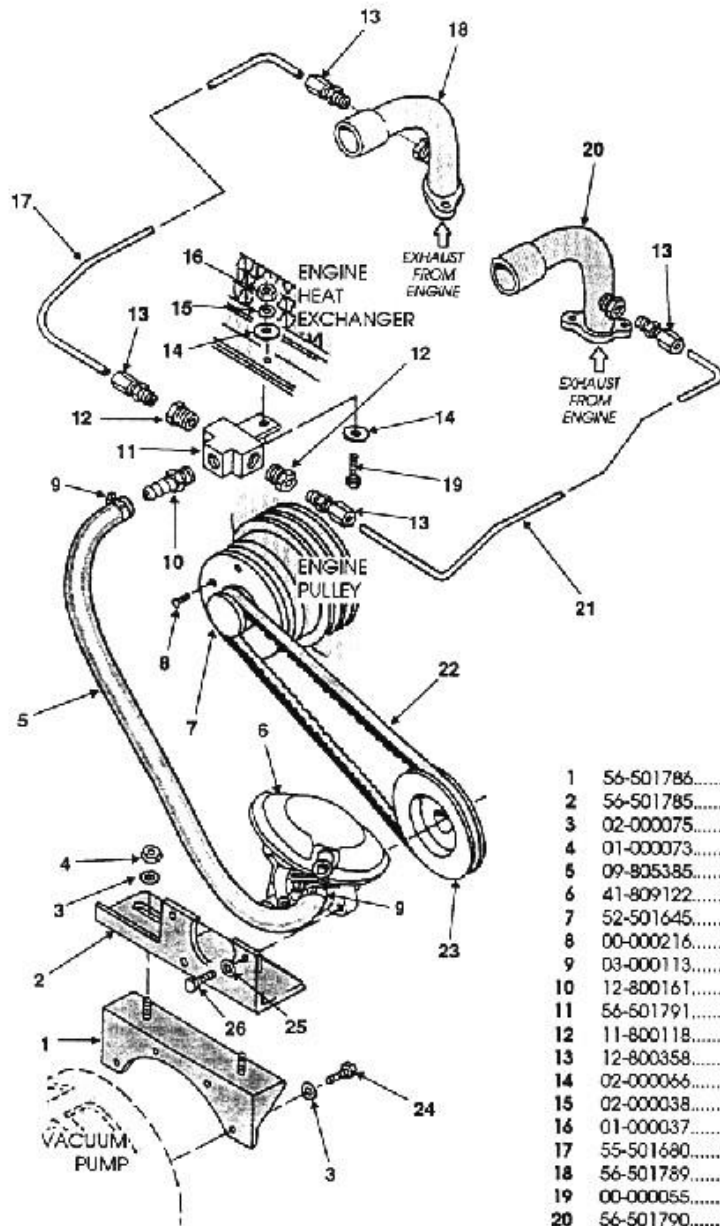
- | | | |
|----|----------------|---------------------------|
| 1 | 31-900028..... | DISCONNECT TERMINAL, 1/4M |
| 2 | 15-808085..... | TEMPERATURE SOLENOID |
| 3 | 11-800380..... | HEX NIPPLE, 1/4 x 1/8 SST |
| 4 | 11-800133..... | TEE, 1/8 |
| 5 | 12-800261..... | ELBOW, 1/8P x 1/4T 45° |
| 6 | 10-805288..... | HOSE, 3/16SST x 17" |
| 7 | 02-000032..... | LOCKWASHER, #10 |
| 8 | 00-000031..... | SCREW, 10-24 x 1/2" |
| 9 | 10-805345..... | HOSE, 3/16SST x 8" |
| 10 | 12-800085..... | TEE, M BRANCH 1/8P x 1/4T |
| 11 | 10-805289..... | HOSE, 3/16SST x 27-1/2" |
| 12 | 01-000037..... | NUT, 1/4-20 |
| 13 | 02-000038..... | LOCKWASHER, 1/4 |
| 14 | 02-000066..... | FLATWASHER, 1/4 |
| 15 | 50-501610..... | MOUNTING BRACKET |
| 16 | 00-000122..... | SCREW, 1/4-20 X 1-3/4" |
| 17 | 12-800060..... | CONNECTOR, 1/4P x 1/4T |
| 18 | 10-805204..... | HOSE, 3/16SST x 23" |

ENGINE HEAT EXCHANGER PARTS



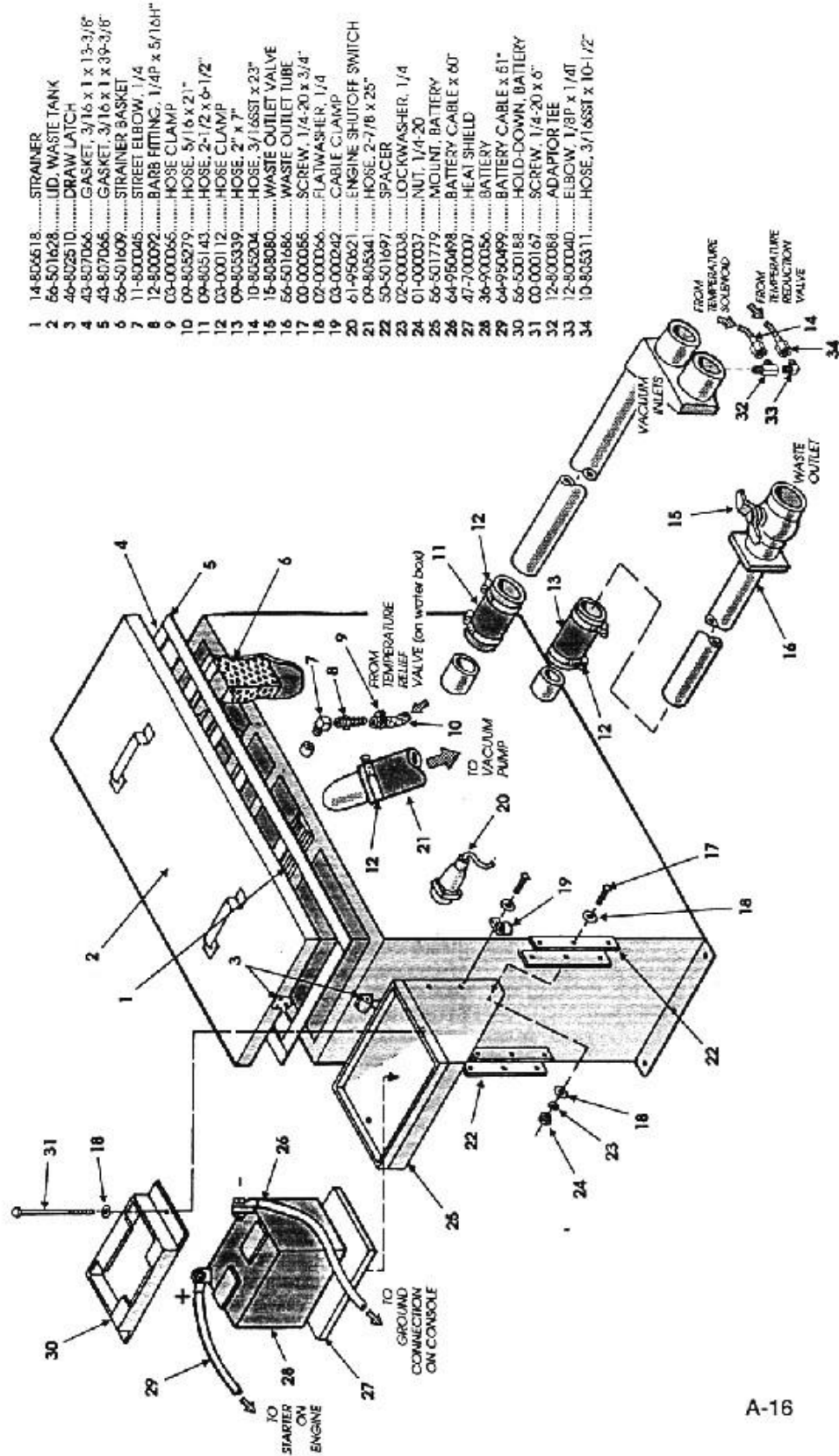
- | | | | |
|----|-------------------------------------|----|--|
| 1 | 09-805100.....HOSE, 3/4 x 13-1/2" | 16 | 56-501679.....FRONT HOUSING |
| 2 | 03-000113.....HOSE CLAMP | 17 | 50-501652.....RIGHT SIDE COVER |
| 3 | 50-501654.....RETAINER BRACKET | 18 | 02-000143.....FLATWASHER, 5/16 |
| 4 | 67-520061.....RADIATOR | 19 | 00-000215.....SCREW, 5/16-18 x 3/4" |
| 5 | 56-501680.....HOUSING, RADIATOR | 20 | 43-807050.....GASKET, EXHAUST |
| 6 | 00-000055.....SCREW, 1/4-20 x 3/4" | 21 | 55-501622.....RIGHT ENGINE EXHAUST ADAPTOR |
| 7 | 02-000066.....FLATWASHER, 1/4 | 22 | 02-000040.....LOCKWASHER, 5/16 |
| 8 | 02-000038.....LOCKWASHER, 1/4 | 23 | 50-501653.....LEFT SIDE COVER |
| 9 | 01-000037.....NUT, 1/4-20 | 24 | 64-950498.....GROUND BATTERY CABLE x 60" |
| 10 | 00-000070.....SCREW, 1/4-20 x 1/2" | 25 | 50-501661.....LEFT AIR BAFFLE |
| 11 | 55-501621.....EXHAUST TUBE | 26 | 50-501662.....RIGHT AIR BAFFLE |
| 12 | 02-000075.....LOCKWASHER, 3/8 | 27 | 55-501619.....LEFT ENGINE EXHAUST ADAPTOR |
| 13 | 02-000074.....FLATWASHER, 3/8 | 28 | 55-501620.....EXHAUST EXTENSION TUBE |
| 14 | 00-000095.....SCREW, 3/8-16 x 1" | 29 | 09-805342.....HOSE, 3/4 x 55" |
| 15 | 03-000086.....MUFFLER CLAMP, 1-1/4" | | |

CATALYTIC AIR PUMP PARTS

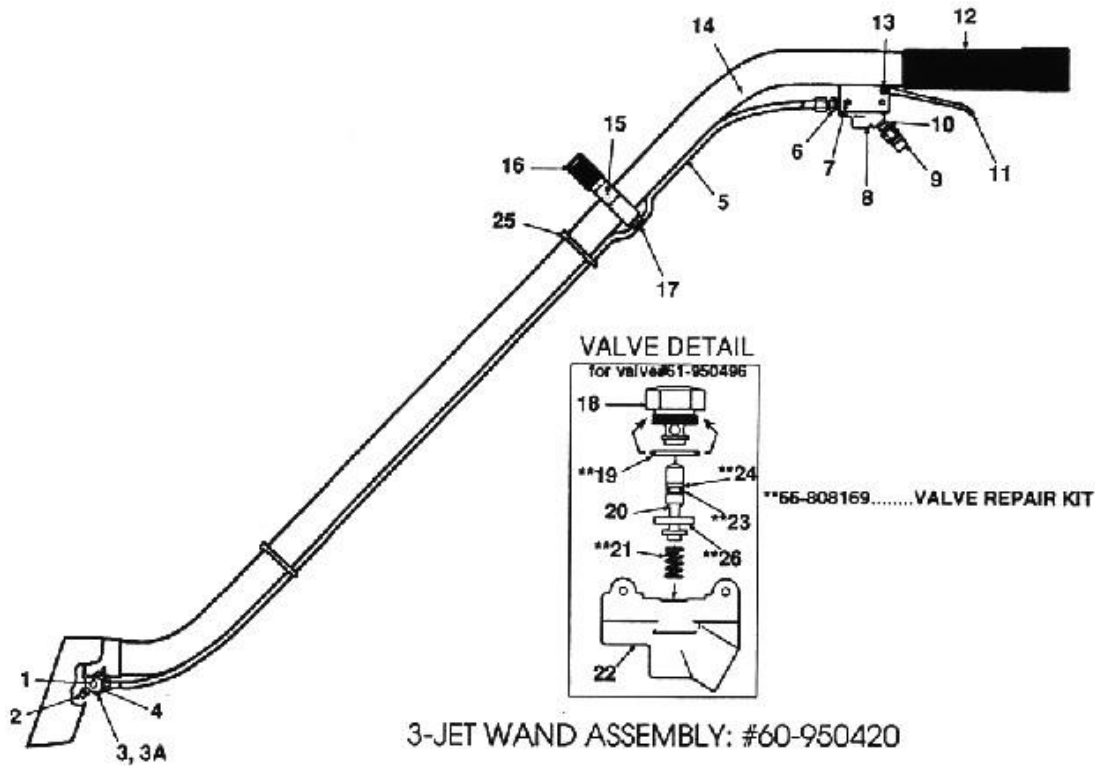


- | | | |
|----|----------------|-------------------------------|
| 1 | 56-501786..... | LOWER MOUNTING BRKT, AIR PUMP |
| 2 | 56-501785..... | UPPER MOUNTING BRKT, AIR PUMP |
| 3 | 02-000075..... | LOCKWASHER, 3/8 |
| 4 | 01-000073..... | NUT, 3/8-16 |
| 5 | 09-805385..... | HOSE, 1/2 x20" |
| 6 | 41-809122..... | AIR PUMP |
| 7 | 52-501645..... | PULLEY, ENGINE ADAPTOR |
| 8 | 00-000216..... | SCREW, 1/4-20 x 1/2" |
| 9 | 03-000113..... | HOSE CLAMP |
| 10 | 12-800161..... | BARB FITTING, 3/8P x 1/2H |
| 11 | 56-501791..... | TEE, AIR PUMP |
| 12 | 11-800118..... | BUSHING, 3/8 x 1/8 |
| 13 | 12-800358..... | CONNECTOR, 3/8P x 3/8T |
| 14 | 02-000066..... | FLATWASHER, 1/4 |
| 15 | 02-000038..... | LOCKWASHER, 1/4 |
| 16 | 01-000037..... | NUT, 1/4-20 |
| 17 | 55-501680..... | RIGHT TUBE, AIR PUMP |
| 18 | 56-501789..... | RIGHT EXHAUST ADAPTOR |
| 19 | 00-000055..... | SCREW, 1/4-20 x 3/4" |
| 20 | 56-501790..... | LEFT EXHAUST ADAPTOR |
| 21 | 55-501679..... | LEFT TUBE, AIR PUMP |
| 22 | 44-802210..... | BELT, 3VX280 |
| 23 | 52-501647..... | PULLEY, AIR PUMP |
| 24 | 00-000095..... | SCREW, 3/8-16 x 1" |
| 25 | 02-000040..... | LOCKWASHER, 5/16 |
| 26 | 00-000226..... | SCREW, 8MM |

WASTE TANK PARTS



CARPET WAND PARTS LISTING



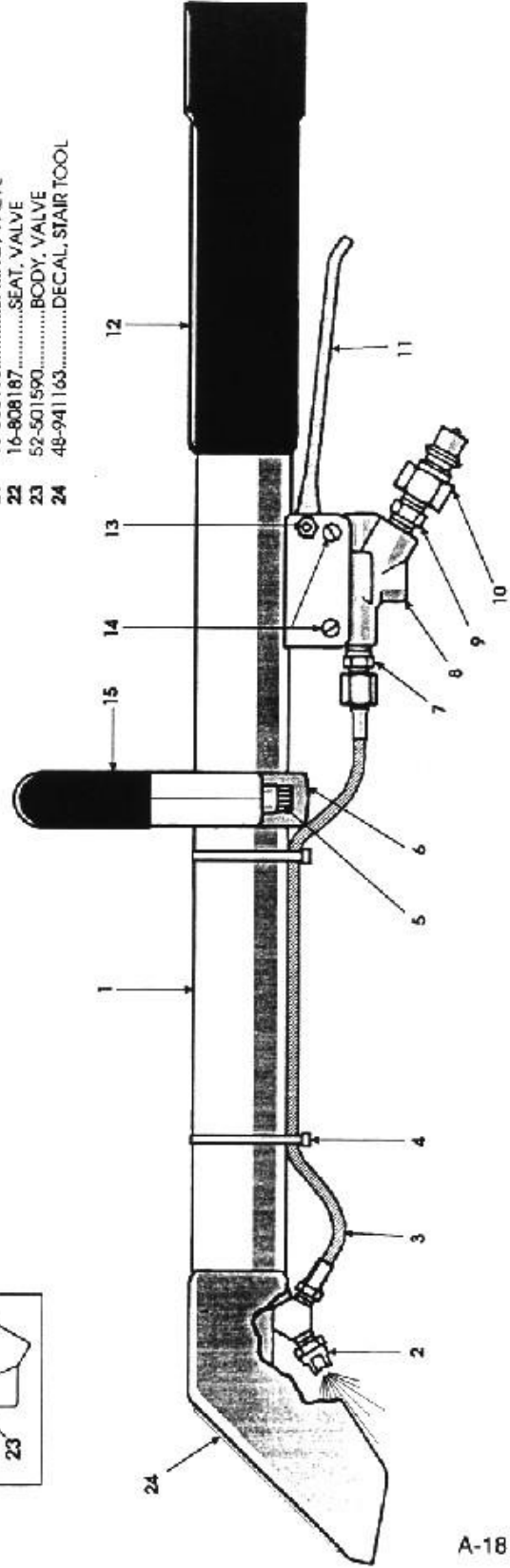
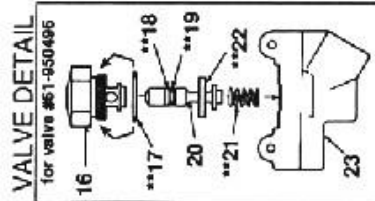
3-JET WAND ASSEMBLY: #60-950420

1	11-800206.....	PLUG, 1/8
2	17-803002.....	SPRAY TIP, 9502 SST
3	00-000042.....	SCREW, 10-32 X 1" or
	00-000020.....	SCREW, 10-32 X 5/8"
3A	01-000019.....	LOCKNUT, 10-32
4	56-501739.....	MANIFOLD
5	10-805063.....	3/16 SST HOSE X 48"
6	12-800060.....	CONNECTOR, 1/4P X 1/4T
7	00-000233.....	SCREW, 8-32 X 3/8
8	61-950496.....	VALVE
9	13-806000.....	DISCONNECT, 1/4M
10	11-800029.....	HEX NIPPLE, 1/4
11	52-501619.....	LEVER
12	09-805359.....	SLEEVE
13	00-000068.....	SCREW, 10-32 X 1-1/4"
13A	01-000019.....	LOCKNUT, 10-32
14	56-501712.....	WAND
15	52-501569.....	HOLD-DOWN, HANDLE
16	52-501568.....	HANDLE
17	00-000282.....	SCREW, HANDLE
18	16-808188.....	STEM HOLDER, VALVE
19	43-810063.....	O-RING, VALVE
20	16-808189.....	STEM, VALVE
21	16-808190.....	SPRING, VALVE
22	52-501590.....	BODY, VALVE
23	43-810062.....	O-RING, VALVE
24	43-810064.....	BACK-UP RING, VALVE
25	04-000053.....	NYLON TIE
26	16-808187.....	SEAT, VALVE

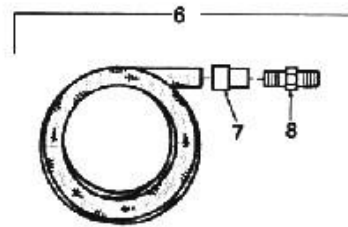
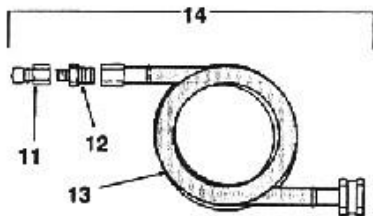
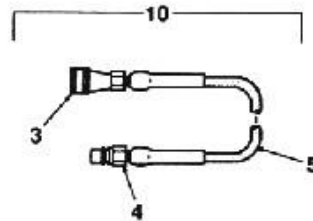
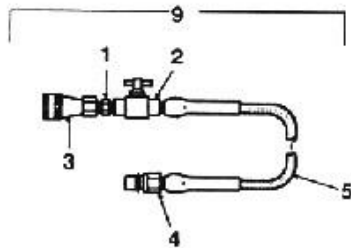
STAIR TOOL PARTS LISTING

1	56-501715.....	STAIR TOOL BODY
2	17-803003.....	SPRAY TIP, 11002 SST
3	10-805330.....	3/16" SST HOSE x 14"
4	04-000053.....	NYLON TIE
5	00-000282.....	SCREW, 1/4 x 1-1/4"
6	52-501569.....	HOLD-DOWN, HANDLE
7	12-800060.....	CONNECTOR, 1/4P x 1/4"
8	61-950496.....	VALVE
9	11-800029.....	HEX NIPPLE, 1/4"
10	13-806000.....	DISCONNECT, 1/4"IM
11	52-501619.....	TRIGGER, VALVE
12	49-802525.....	GRIP SLEEVE
13	00-000233.....	SCREW, 8-32 x 3/8"
14	00-000068.....	SCREW, 10-32 x 1-1/4"
14A	01-000019.....	LOCKNUT, 10-32
15	52-501568.....	BODY, HANDLE
16	16-808188.....	CAP, VALVE
17	43-810063.....	O-RING, VALVE
18	43-810064.....	BACK-UP RING, VALVE
19	43-810062.....	O-RING, VALVE
20	16-808189.....	STEM, VALVE
21	16-808190.....	SPRING, VALVE
22	16-808187.....	SEAT, VALVE
23	52-501590.....	BODY, VALVE
24	48-941163.....	DECAL, STAIR TOOL

**66-808169..... VALVE REPAIR KIT



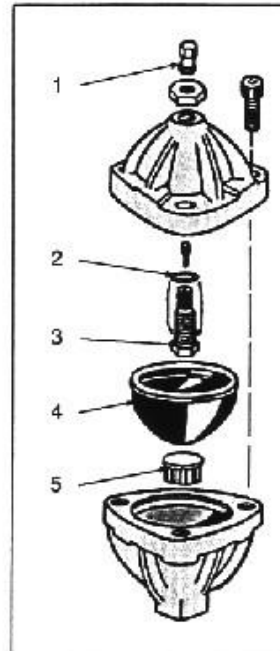
HOSE ACCESSORIES PARTS



- 1 11-800029.....HEX NIPPLE, 1/4
- 2 15-808012.....BALL VALVE, 1/4
- 2A 43-810014.....O-RING [1], 1/4 BALL VALVE
- 2B 43-810019.....O-RING [2], 1/4 BALL VALVE
- 3 13-806001.....DISCONNECT, 1/4F
- 4 13-806000.....DISCONNECT, 1/4M
- 5 10-805077.....HOSE ASSEMBLY X 50' W/O DISCONNECTS OR VALVE
- 6 10-805060.....VACUUM HOSE X 50' W/ CUFFS
- 7 08-805147.....CUFF, VACUUM HOSE
- 8 12-800078.....CONNECTOR
- 9 10-805108.....HOSE ASSY,50' W/ VALVE & DISCONNECTS
- 10 10-805122.....HOSE ASSY,50' W/ DISCONNECTS
- 11 13-806009.....DISCONNECT, 3/8M
- 12 11-800354.....HEX NIPPLE, 1/2 x 3/8
- 13 10-805157.....WATER HOSE ASSY x 50'
- 14 10-805295.....WATER HOSE ASSY x 50' W/ DISCONNECT

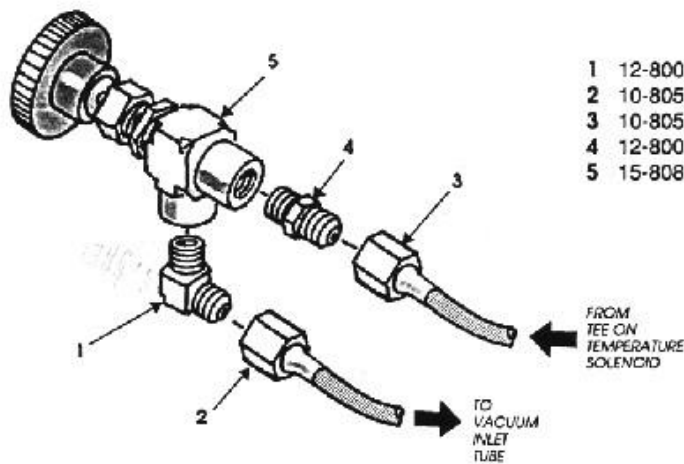
PULSATION DAMPER PARTS DETAIL

- 1 42-809026.....CAP, PULSATION DAMPER
- 2 43-810012.....O-RING, PULSATION DAMPER
- 3 42-809028.....CHECK VALVE, PULSATION DAMPER
- 4 42-809029.....DIAPHRAGM, PULSATION DAMPER
- 5 42-809030.....BAFFLE PLUG, PULSATION DAMPER



PULSATION DAMPER #41-809016

TEMPERATURE BYPASS VALVE DETAIL



- 1 12-800040.....ELBOW, 1/8P x 1/4T
- 2 10-805311.....3/16 SST HOSE x 10-1/2"
- 3 10-805289.....3/16 SST HOSE x 27-1/2"
- 4 12-800065.....CONNECTOR, 1/8P x 1/4T
- 5 15-808087.....VALVE